

SPA525FR User's Installation Guide

5.25" Low Profile, In-Ceiling, Full Range Loudspeaker



The easy to install SPA525FR is a full-range ceiling loudspeaker that incorporates a paper cone woofer with cloth surround. It was designed for the universal USA mandated School upgrades.

This speaker provides superior and more natural sound for both foreground and background applications. The Enclosed Metal design makes it the ideal choice for typical applications in open beam attic or enclosed ceilings. This speaker is UL 2043 Plenum rated.

The speaker grill color is white, and is a close match to Frazee White Shadow 181. It can be painted to match any décor. The speaker enclosure is a durable UV-resistant material that allows for both indoor and outdoor installations. The perforated powder-coated aluminum alloy grill is long-lasting, corrosion resistant and rust-free.

Four built-in expanding transverse dog leg clamps permit installation with or without pre-wire construction brackets in drywall or material with thickness of 7/32" to 1 3/16".

The included mounting kit allows for installation in standard 2'x2' or 2'x4' suspended ceiling tiles. The kit also offers support to prevent sagging. To comply with UL, NFPA90 and NFPA70A an earthquake ring is provided on the speaker for added support and to prevent the unit from falling in the event of seismic disturbances.

Electrical connection, up to 12 gauge wire, is made by four screw down 2-pole, removable captive connector.



SPECIFICATIONS

Driver	5.25" Paper Cone, Cloth Surround
Grill specification	Fastlock Perforated aluminum with scrim cloth
Frequency Response	75Hz – 18kHz
Impedance	8 ohms nominal
Power Handling	16 Watts Continuous & 32 Watts Program
SPL	83 dB 1W/1m
Diameter x Depth	10 3/8" (263mm) x 4" (102mm)
Cutout Diameter	8.94" (227mm)
Product Weight (each)	5 lbs (2.3kg)
Shipping Pack Dimensions 2 pair (weight)	22" x 13" x 12" (20 lbs) 10kg with Mounting Hardware



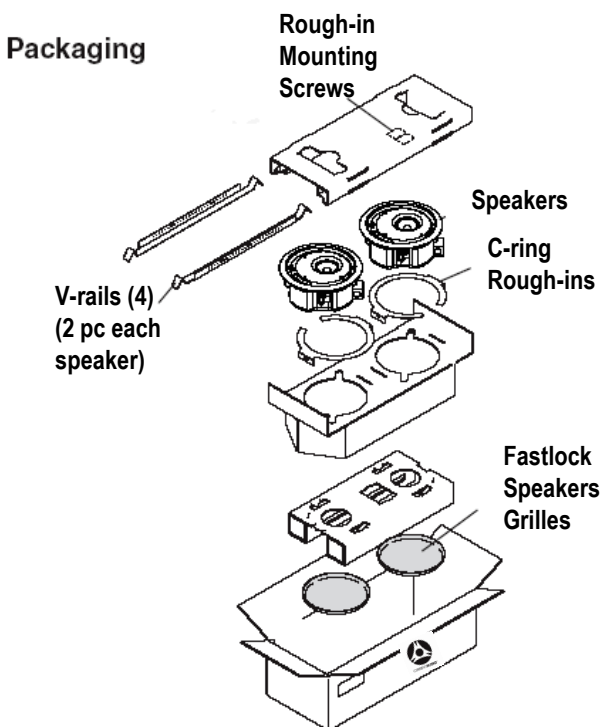
Part Number	99003
Manual URL	www.currentaudio.com
Accessories	- NC6CB New Construction Bracket - Volume Control



SPA525FR User's Installation Guide

Packaging and Enclosed Parts

The following diagram shows all of the included parts for assembly and installation. Please inspect your pack for damaged or missing parts. Notify your supplier if any discrepancies occur.



Only simple hand tools are required for assembly and installation.

Required tools: #2 Phillips screwdriver, Small Flathead slotted screwdriver with a

1/8" inch blade or smaller, Drywall Hand saw. A saber may be required if you are cutting into plywood.

Painting the Speaker Grille

Tear along the smaller perforated line of the cutout template marked as a paint shield. Push it into the front baffle of the speaker. Paint the front.

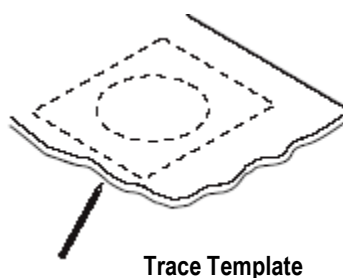
Remove the paint shield after the paint has dried.

Drywall Ceiling Installation

1

Take the cutout template from the packaging box and punch out along the larger perforated circle.

Place the cutout template against the ceiling and trace along the inside circle. Carefully cut out the ceiling material along the circle.



Cut Material



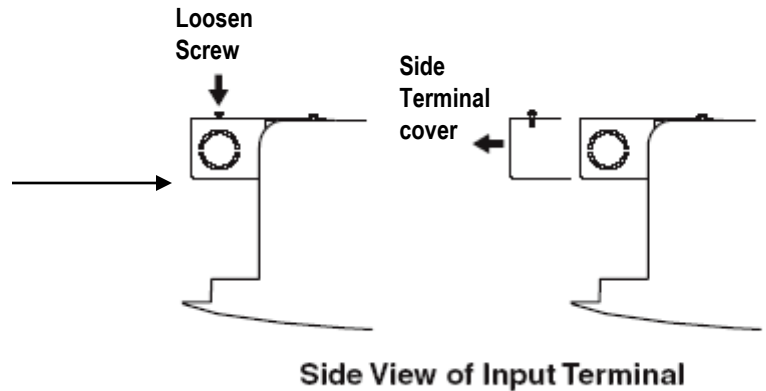
SPA525FR User's Installation Guide

2

The side terminal cover, as shown in step 3f, must first be removed before wiring the speaker.

Loosen the single top screw of the side terminal cover and pull the side terminal cover straight out.

See the illustration below.



3

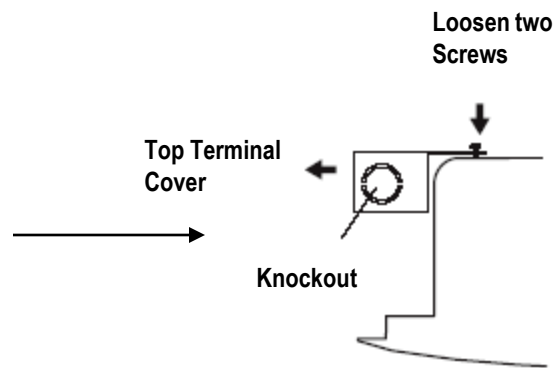
a) Remove the top terminal cover (see illustration in step 3f) by loosening (do not remove) both top screws, sliding the top terminal cover away from the Screws, and removing the cover, as shown here.

b) Remove the knockout (s) from the top terminal cover depending on the direction from which the conduit (s) will be entering and/or leaving the cover.

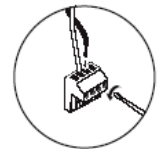
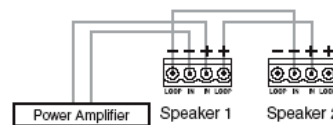
c) Insert the conduit (s) into the knockout opening (s) and secure the conduit to the cover with the locking nut.

NOTE: Installation in a plenum-rated environment Requires plenum rated wire gauge of 14 AWG to 18 AWG.

d) Pull the speaker wires from the conduit, strip 0.2" (5 mm) from the wire ends (do not tin the wires), and secure the wires into the 4 screw z-pole removable captive connector.



To connect speakers in parallel, see the wiring diagram below.

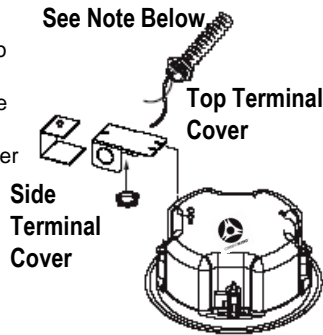


Z-Pole Captive Screw Connector

e) Bring the speaker up to the bottom of the hole in the ceiling.

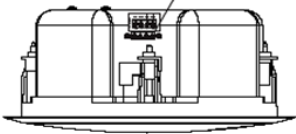
SPA525FR User's Installation Guide

f) Plug the wired connector from step 3d into the speaker's audio input connector. Secure the top terminal cover with the two top screws that were loosened in step 3a; hook the side terminal cover to the top terminal cover; and secure the side terminal cover in place with the screw that was loosened in step 2.



NOTE: Installation in a plenum-rated environment Requires plenum rated wire gauge of 14 AWG to 18 AWG.

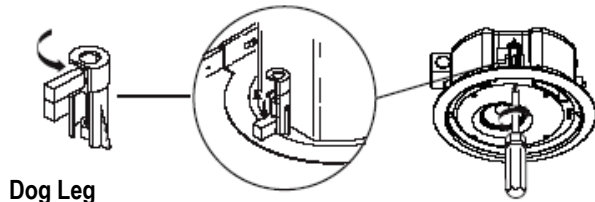
4-pole Captive Screw Connector



4 Front View of Input Terminal

Loosen the four screws on the front baffle 1/2 turn (counterclockwise). Insert the speaker in the ceiling hole, then tighten the screws (clockwise) until the dog legs clamp the speaker to the ceiling. See below.

CAUTION: Do not overtighten screws.



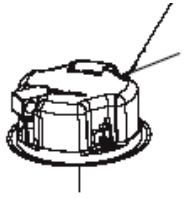
5

Connect a secondary support line from the seismic tab to a secure support point according to local building codes.

Align the Fast Cock Grill Tabs with the speaker detents. Twist clockwise until the tabs lock with the Detent.

NOTE: Grill must be rotated enough to ensure it is locked in place to prevent the grill from loosening.

Seismic Tab & Support Line



Suspended Ceiling Installation

1

Remove the ceiling tile where the speaker is to be installed.

2

Use the cutout template to trace the hole on the tile, then cut out the hole (see step 1 on page 3)

3

Bring the speaker cable through the hole in the cut tile, then reinstall the tile.

4

Remove the adjacent tile. Place the 2 V-rails and 1 C-ring across the tile where speaker is to be installed. Bring the speaker up to the bottom of the hole in the ceiling tile.

5

Connect the wires to the speaker terminal connector. (see step 3 of Drywall Ceiling Installation.)

6

Loosen the four screws on the front baffle 1/2 turn (counterclockwise).

7

Connect a secondary support line from the seismic tab to a secure support point. (See Step 5 of Drywall Ceiling Installation)

Then tighten the screws (clockwise) until the dog legs clamp the speaker to the ceiling.

CAUTION: Do not overtighten screws.

8

Install the grille (see step 5 of Drywall Ceiling Installation).